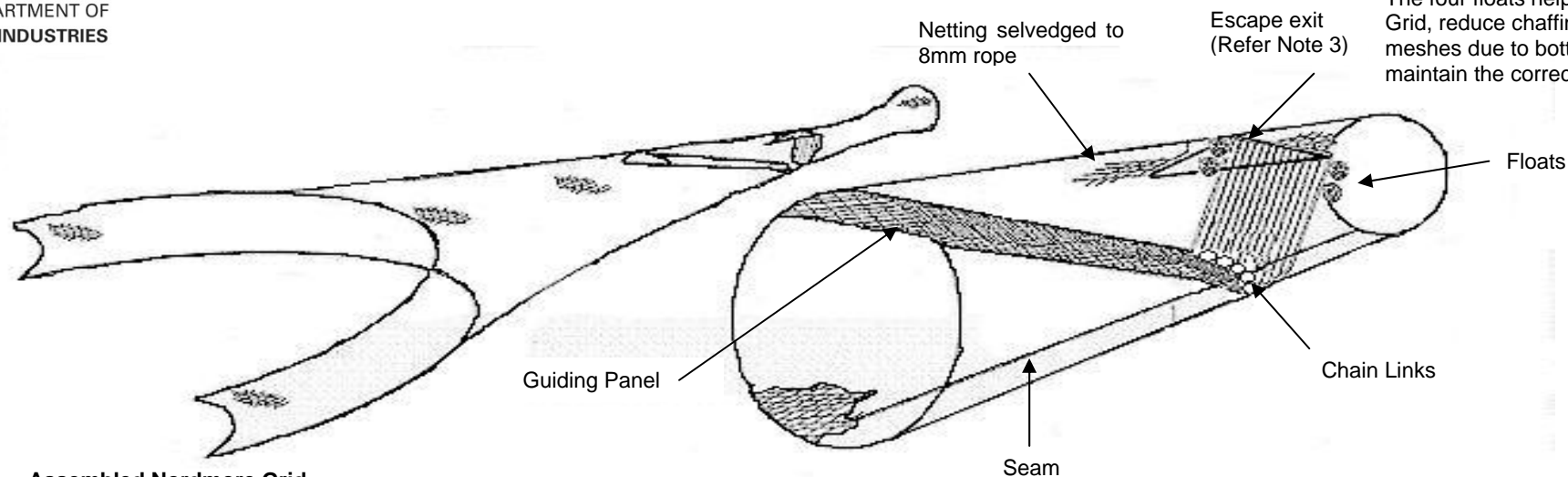




NSW DEPARTMENT OF
PRIMARY INDUSTRIES

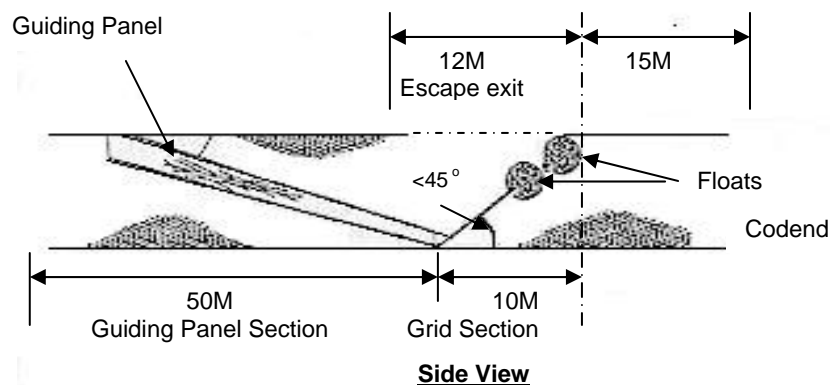
Draft NSW Ocean Trawl Fishery Nordmore Grid by-catch reduction device (BRD)

(for use in NSW Ocean Waters)

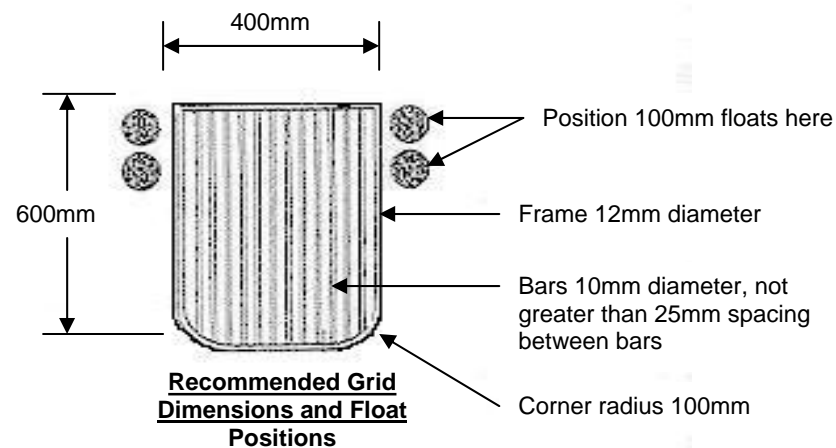


The four floats help to stabilize the Grid, reduce chaffing of the lower meshes due to bottom contact and maintain the correct grid angle.

Assembled Nordmore Grid



Side View



**Recommended Grid
Dimensions and Float
Positions**

Compulsory Aspects:

1. The perimeter of the grid must be fully sewn to the inside of the net.
2. Minimum grid dimension of 600mm x 400mm with a maximum spacing of 25mm between the bars and grid positioned at an angle of 45° or less (to the horizontal).
3. The escape exit must be:
 - a) A triangle not less than 20 bars per side and base 25 meshes (transversals) across, or
 - b) A single cut not less than 25 meshes (transversals) across the top of the net immediately forward of the uppermost edge of the grid.

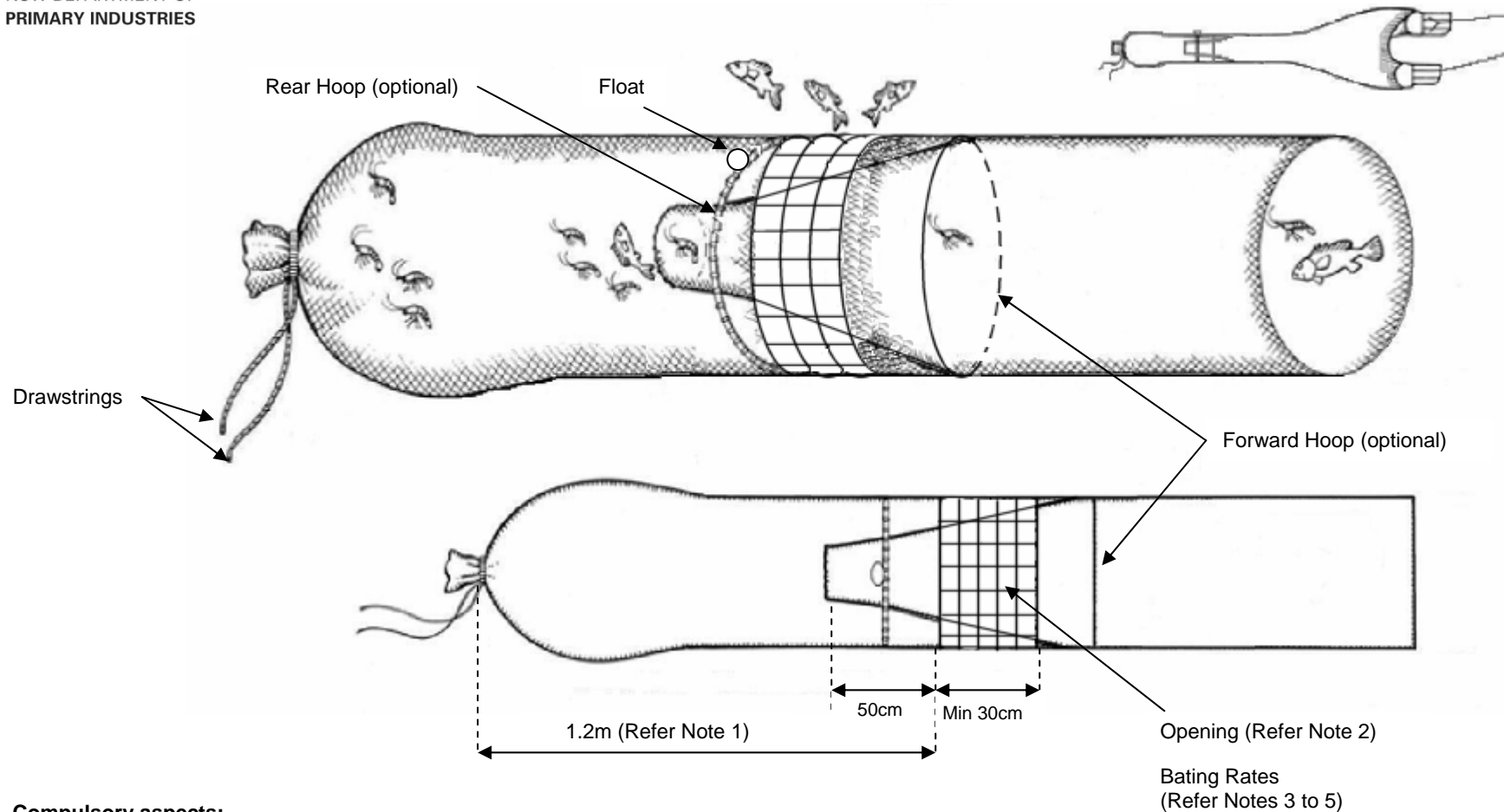
Director-General
Agriculture, Fisheries & Regional Relations

Drawing:	BRD Specification	
Version:	1	Sheet No: 1 of 1
Scale:	Not to Scale	Branch: Wild Harvest Fisheries
Approved by:	Director-General DPI	Date:



NSW DEPARTMENT OF
PRIMARY INDUSTRIES

Draft NSW Ocean Trawl Fishery Radial Escape by-catch reduction device (BRD) (for use in NSW Ocean Waters)



Compulsory aspects:

1. Maximum distance from drawstrings to rear of opening 1.2 metres.
2. Opening (square mesh panel) must:
 - (a) extend at least 30cm,
 - (b) extend the nets full circumference,
 - (c) consist of square mesh minimum 65mm in each dimension, and
3. Bating rates apply to forward and aft of panel; if 65-75mm mesh - at least 3 points to each bar, if >75mm mesh - at least 4 points to each bar.
4. Aft of funnel must not extend greater than 50cm behind rear of square mesh panel opening.

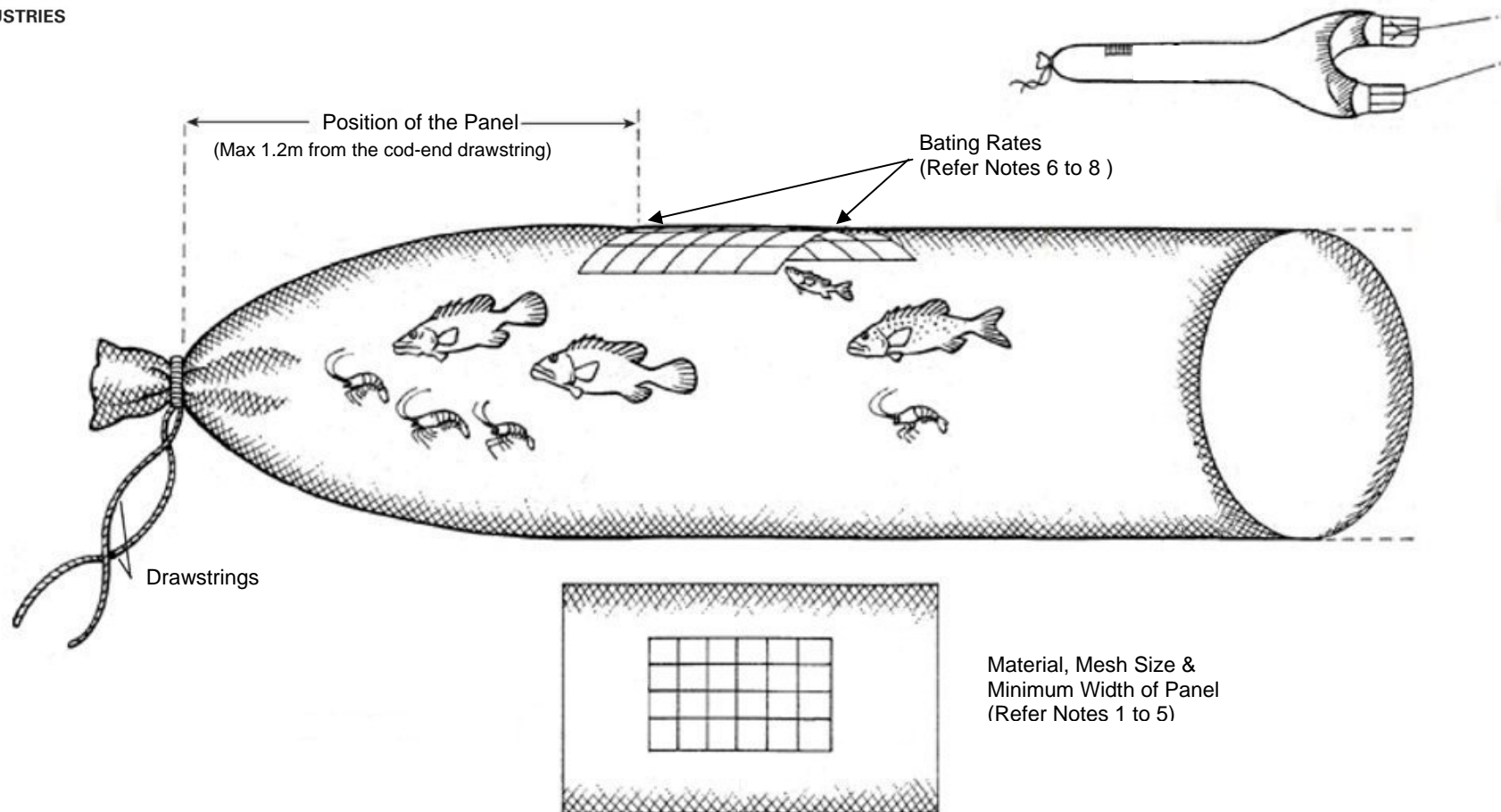
**Director-General
Agriculture, Fisheries & Regional Relations**

Drawing:	BRD Specification	
Version:	1	Sheet No: 1 of 1
Scale:	Not to Scale	Branch: Wild Harvest Fisheries
Approved by:	Director-General DPI	Date:



NSW DEPARTMENT OF
PRIMARY INDUSTRIES

Draft NSW Ocean Trawl Fishery Prawn Square Mesh Panel by-catch reduction device (BRD) (for use in NSW Ocean Waters)



Compulsory aspects

1. Single panel as per 2-8 below (additional panels may be fitted)
2. Netting, rigid mesh (ie, plastic or metal) or netting inside a rigid frame may be used.
3. Soft Mesh - minimum 65mm mesh hung on the bar with twine diameter no greater than 4mm.
4. If 65-75mm mesh, panel must be a minimum 770sq cm or
5. If >75mm mesh, minimum 650sq cm
6. Panel dimensions - minimum 200mm in width
7. Bating rates to top & bottom of the panel (not the sides), 65-75mm mesh - at least 3 points to each bar on the panel or if >75mm – at least 4 points to each bar on the panel.
8. Base of panel must be within 1.2m of the codend drawstring

Director-General

Agriculture, Fisheries & Regional Relations

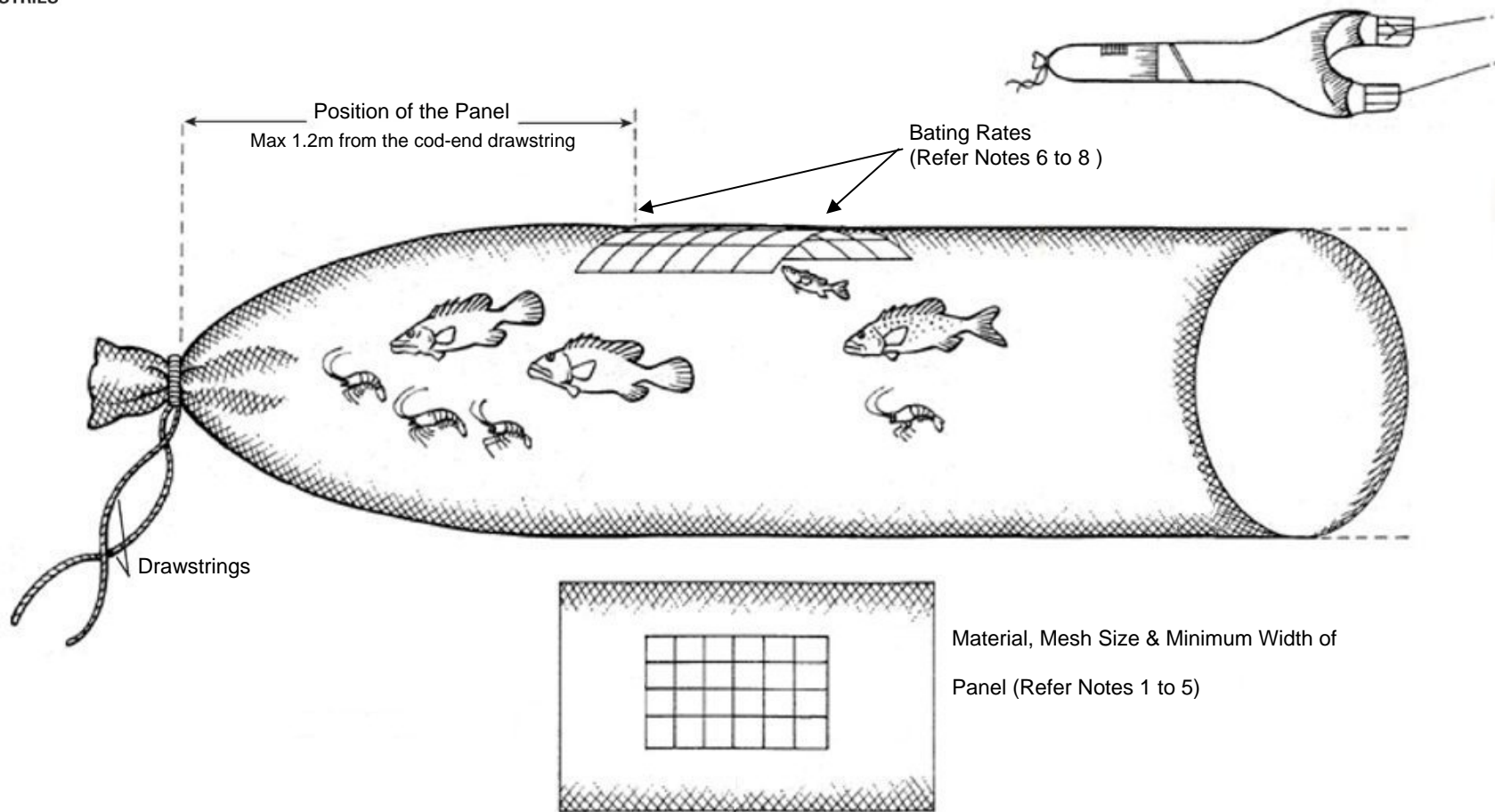
Drawing:	BRD Specification	
Version:	1	Sheet No: 1 of 1
Scale:	Not to Scale	Branch: Wild Harvest Fisheries
Approved by:	Director-General DPI	Date:



NSW DEPARTMENT OF
PRIMARY INDUSTRIES

Draft NSW Ocean Trawl Fishery School Whiting Square Mesh Panel by-catch reduction device (BRD)

(for use in designated School Whiting Grounds in NSW Ocean Waters)



Compulsory aspects

1. Single panel as per 2- 5 below
2. Netting, rigid mesh (ie, plastic or metal) or netting inside a rigid frame may be used
3. Soft Mesh - minimum 40mm mesh hung on the bar with twine diameter no greater than 4mm
4. Minimum 200mm in width and 350mm in length
5. Bating rates to the top & bottom of the panel only (not sides) at least 2 points to each bar on panel

Director-General

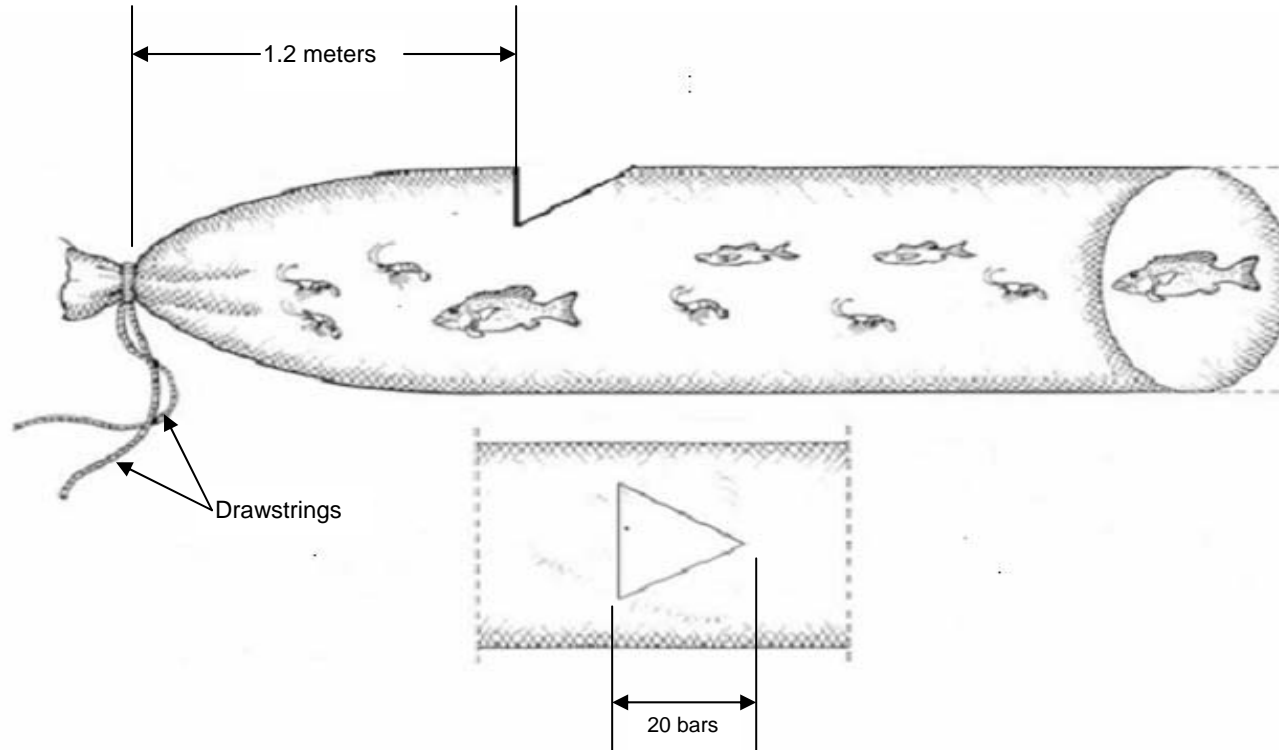
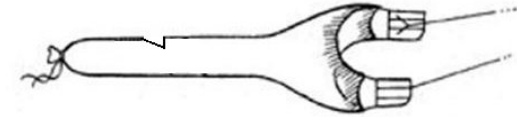
Agriculture, Fisheries & Regional Relations

Drawing:	BRD Specification	
Version:	1	Sheet No: 1 of 1
Scale:	Not to Scale	Branch: Wild Harvest Fisheries
Approved by:	Director-General DPI	Date:



NSW DEPARTMENT OF
PRIMARY INDUSTRIES

Draft NSW Ocean Trawl Fishery V-Cut by-catch reduction device (BRD) (for use in NSW Ocean Waters)



Compulsory aspects;

1. Maximum distance from drawstring 1.2m as shown.
2. Minimum side length 20 bars.
3. The flap created when cutting the V into the cod-end must be removed.

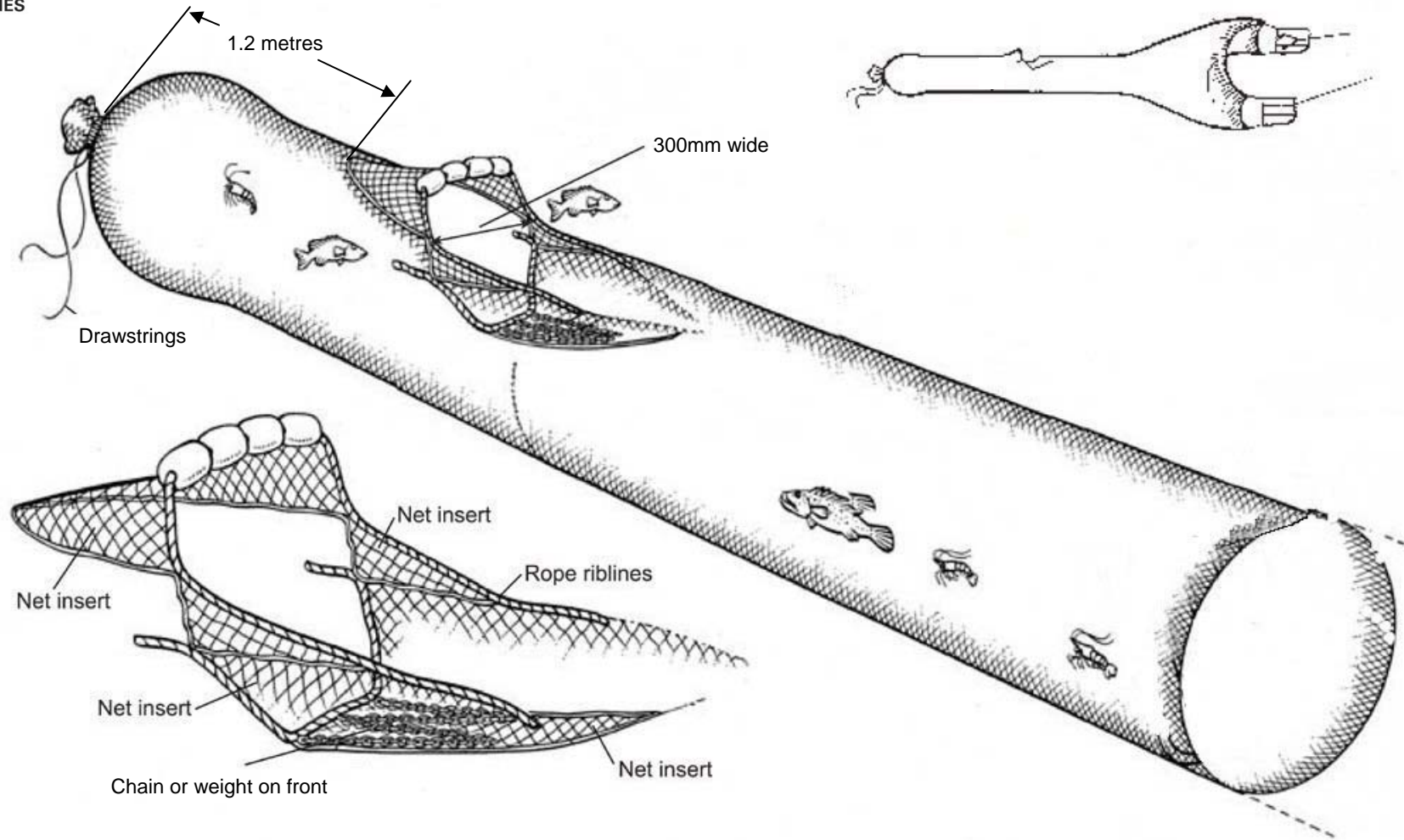
Director-General
Agriculture, Fisheries & Regional Relations

Drawing:	BRD Specification	
Version:	1	Sheet No: 1 of 1
Scale:	Not to Scale	Branch: Wild Harvest Fisheries
Approved by:	Director-General DPI	Date:



NSW DEPARTMENT OF
PRIMARY INDUSTRIES

Draft NSW Ocean Trawl Fishery Big-Eye by-catch reduction device (BRD) (for use in NSW Ocean Waters)



Compulsory aspects:

1. Maximum distance from drawstrings 1.2m as shown
2. Minimum width of opening 300mm as shown
3. Chain or weight on front panel (preferably weight to avoid spooking fish)
4. Floats on rear panel as shown.

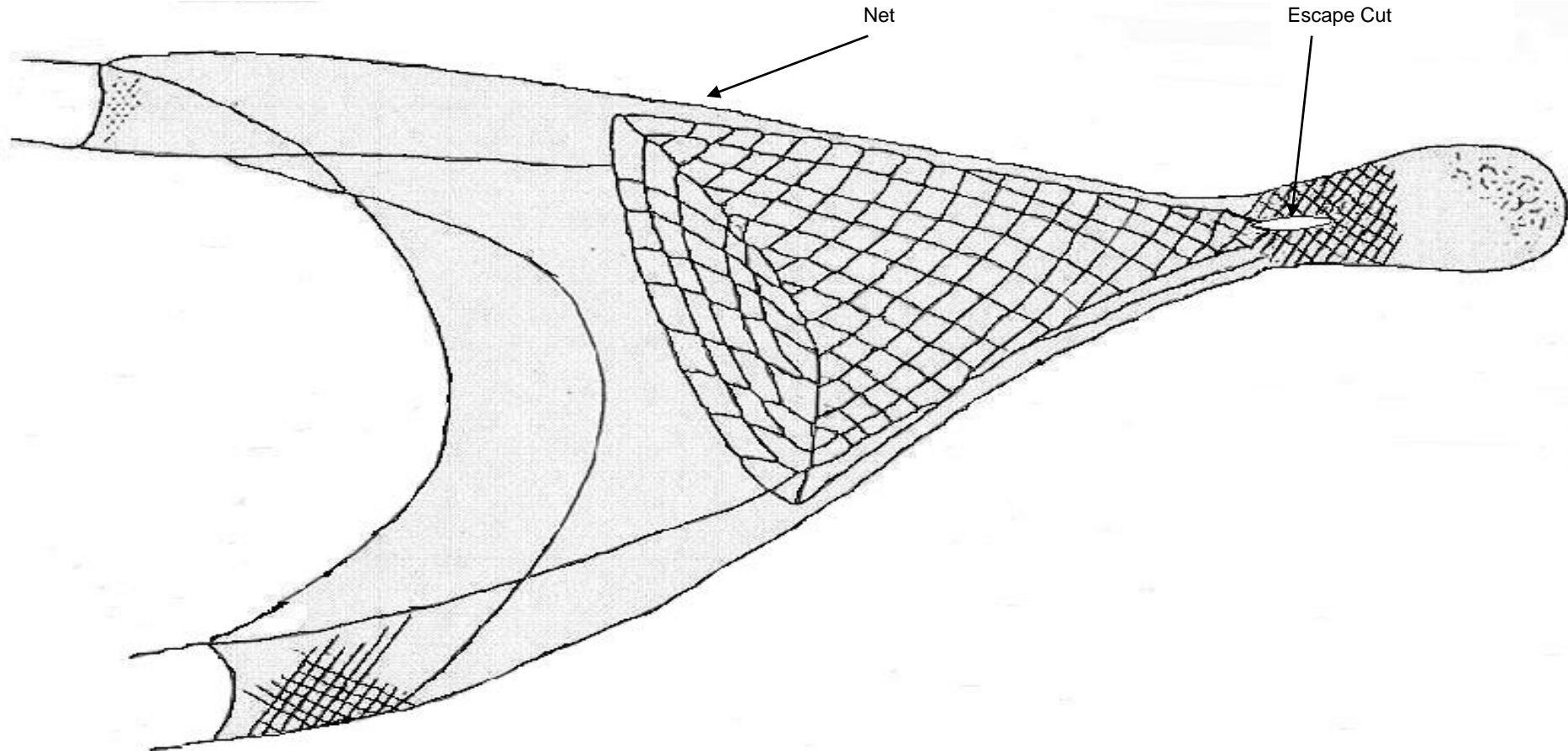
Director-General
Agriculture, Fisheries & Regional Relations

Drawing:	BRD Specification	
Version:	1	Sheet No: 1 of 1
Scale:	Not to Scale	Branch: Wild Harvest Fisheries
Approved by:	Director-General DPI	Date:



NSW DEPARTMENT OF
PRIMARY INDUSTRIES

Draft NSW Ocean Trawl Fishery Blubber Chute by-catch reduction device (BRD) (for use in NSW Ocean Waters)



Compulsory aspects:

1. Soft mesh BRD (blubber chute) must be sewn into the net
2. Mesh size 40-100mm.
3. Minimum total length of 3m.
4. The escape cut must be a minimum of 450mm.
5. Blubber chute must be sewn to net around escape cut

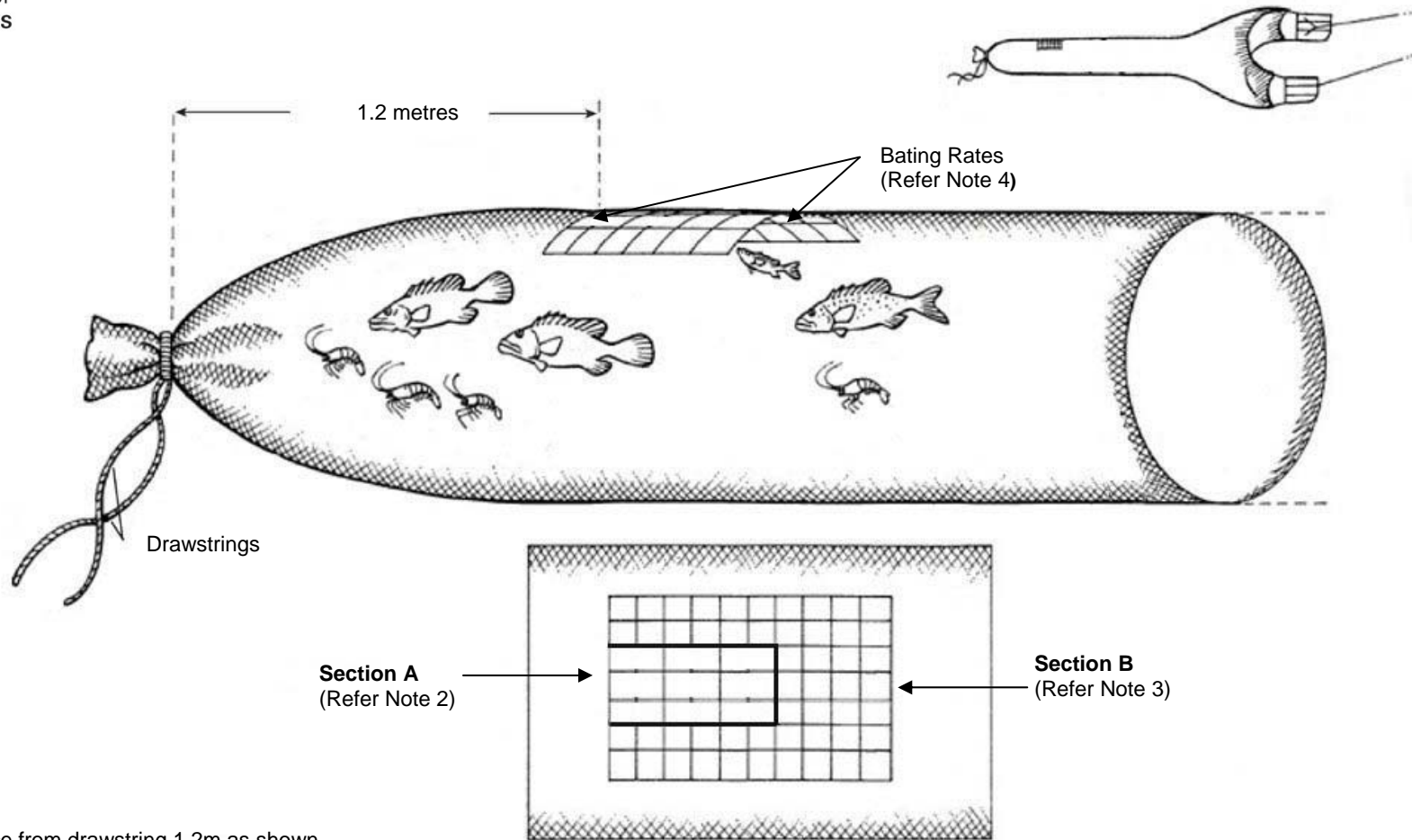
Director-General
Agriculture, Fisheries & Regional Relations

Drawing:	BRD Specification	
Version:	1	Sheet No: 1 of 1
Scale:	Not to Scale	Branch: Wild Harvest Fisheries
Approved by:	Director-General DPI	Date:



NSW DEPARTMENT OF
PRIMARY INDUSTRIES

Draft NSW Ocean Trawl Fishery Composite Square Mesh Panel by-catch reduction device (BRD) (for use in NSW Ocean Waters)



Compulsory aspects;

1. Maximum distance from drawstring 1.2m as shown.
2. **Section A:**
 - a) Minimum 65mm mesh hung on the bar (ie; hung square)
 - b) Minimum 60cm long and 30cm wide
 - c) Maximum 4mm diameter twine
3. **Section B:**
 - a) Panel surrounding Section A (but for aft)
 - b) 40mm to 50mm mesh hung on the bar (ie; hung square)
 - c) Maximum 4mm diameter twine
4. **Bating Rates (recommended only)**
 - a) Section A (posterior edge) minimum 3 point per bar
 - b) Section B (posterior and anterior) minimum 2 points per bar.

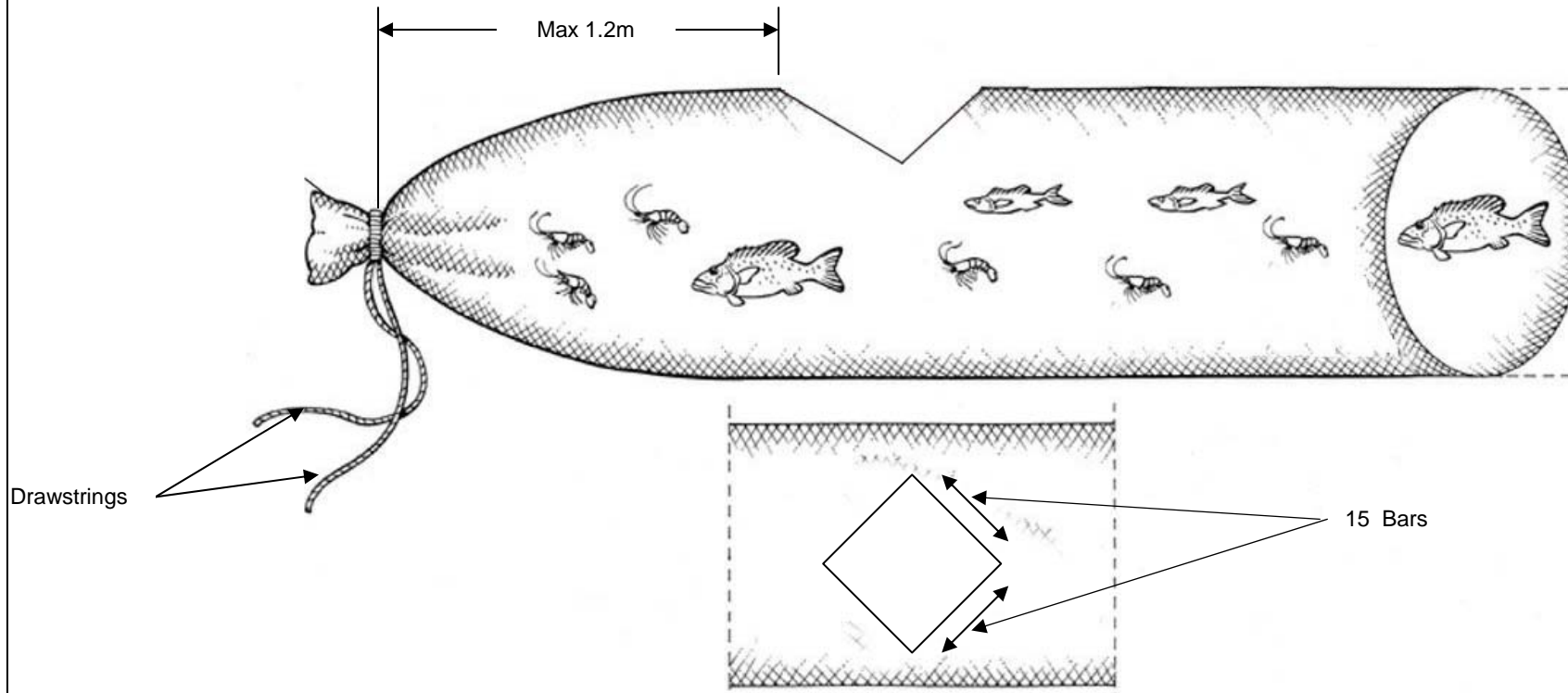
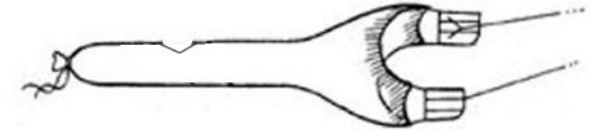
Director-General
Agriculture, Fisheries & Regional Relations

Drawing:	BRD Specification	
Version:	1	Sheet No: 1 of 1
Scale:	Not to Scale	Branch: Wild Harvest Fisheries
Approved by:	Director-General DPI	Date:



NSW DEPARTMENT OF
PRIMARY INDUSTRIES

Draft NSW Ocean Trawl Fishery Diamond by-catch reduction device (BRD) (for use in NSW Ocean Waters)



Compulsory aspects;

1. Maximum distance from drawstring 1.2m as shown
2. Minimum side length 15 bars as shown

Director-General
Agriculture, Fisheries & Regional Relations

Drawing:	BRD Specification	Sheet No:	1 of 1
Version:	1	Branch:	Wild Harvest Fisheries
Scale:	Not to Scale	Date:	
Approved by:	Director-General DPI		